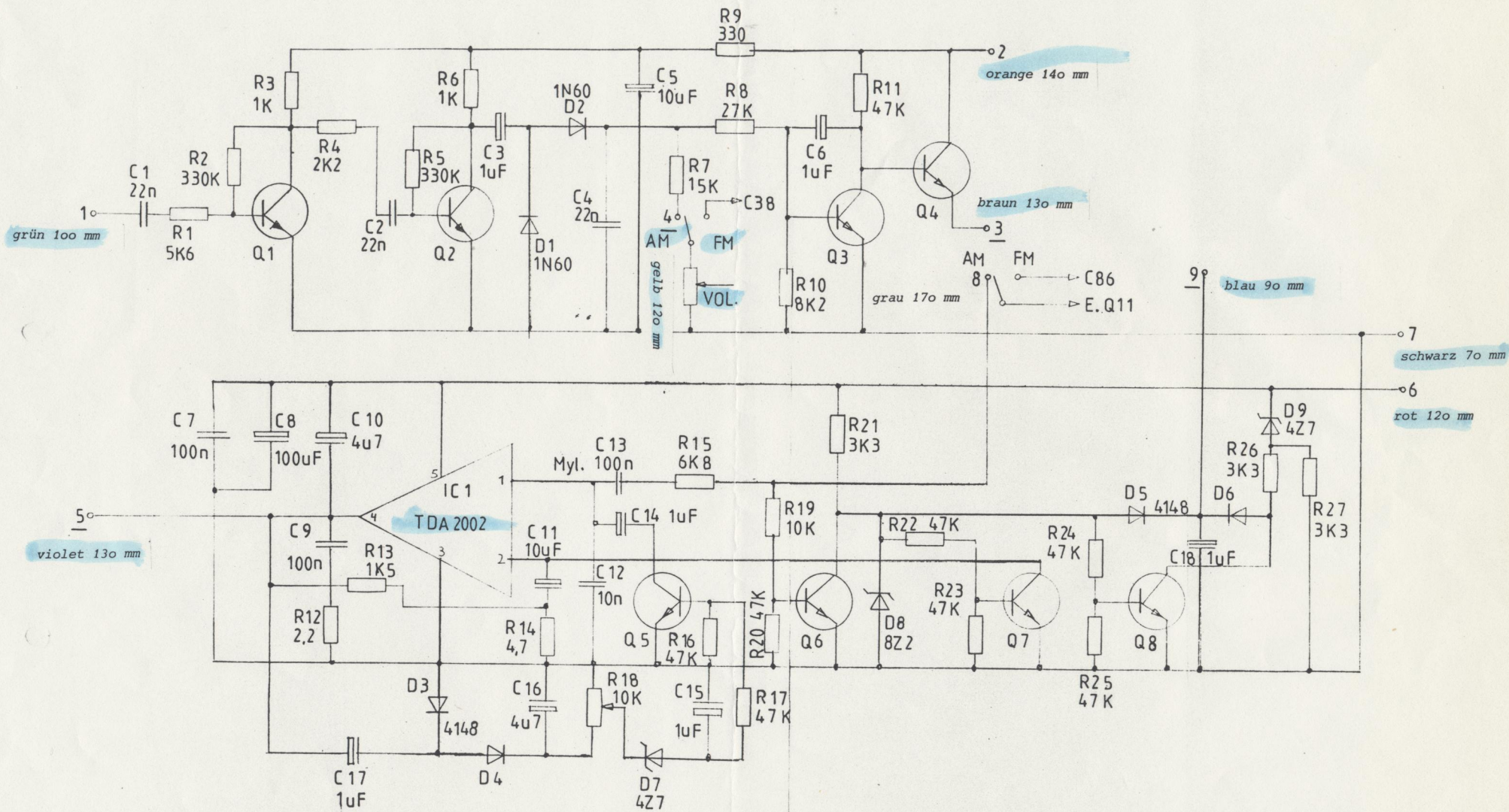


ALL RESISTORS VALUE IN OHMS
 ALL CAPACITORS VALUE IN PICO FARAD

REMARKS:
 * CAPACITORS IN NP0 TYPE
 [00] CAPACITORS IN MYLAR TYPE
 [T] CAPACITORS IN TANTALUM TYPE
 ALL VALUES ARE SUBJECT TO BE CHANGED WITHOUT NOTICE

2SC1307 SM-TX

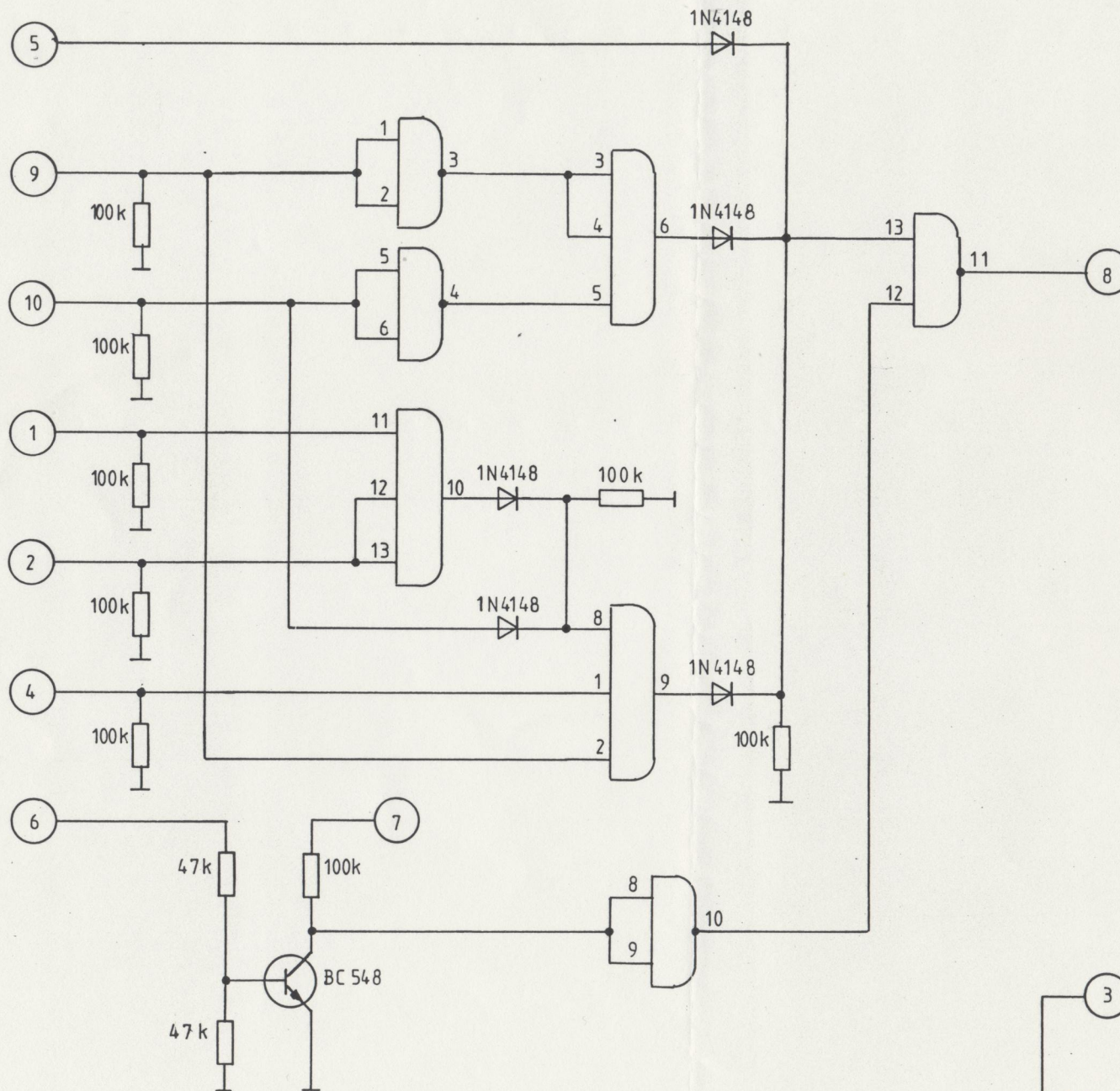
B/W 2740



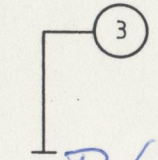
Q1-8 MPS9631

AM-03
M2740

B/w 2740 Fa



- 1 = 2^1
- 2 = 2^0
- 3 = Masse
- 4 = 2^3
- 5 = 2^6
- 6 = AM/FM Umschalter
- 7 = +8V
- 8 = keine AM(L) R44
- 9 = 2^4
- 10 = 2^2



B/w 2740 Flu

Fu auf allen Kanäle
Dacht vom Balte Fu/Fu ober
links abknipfen der zur Platte
auf dem Kanal Balte geht = blau

Fu 27.40 Fu