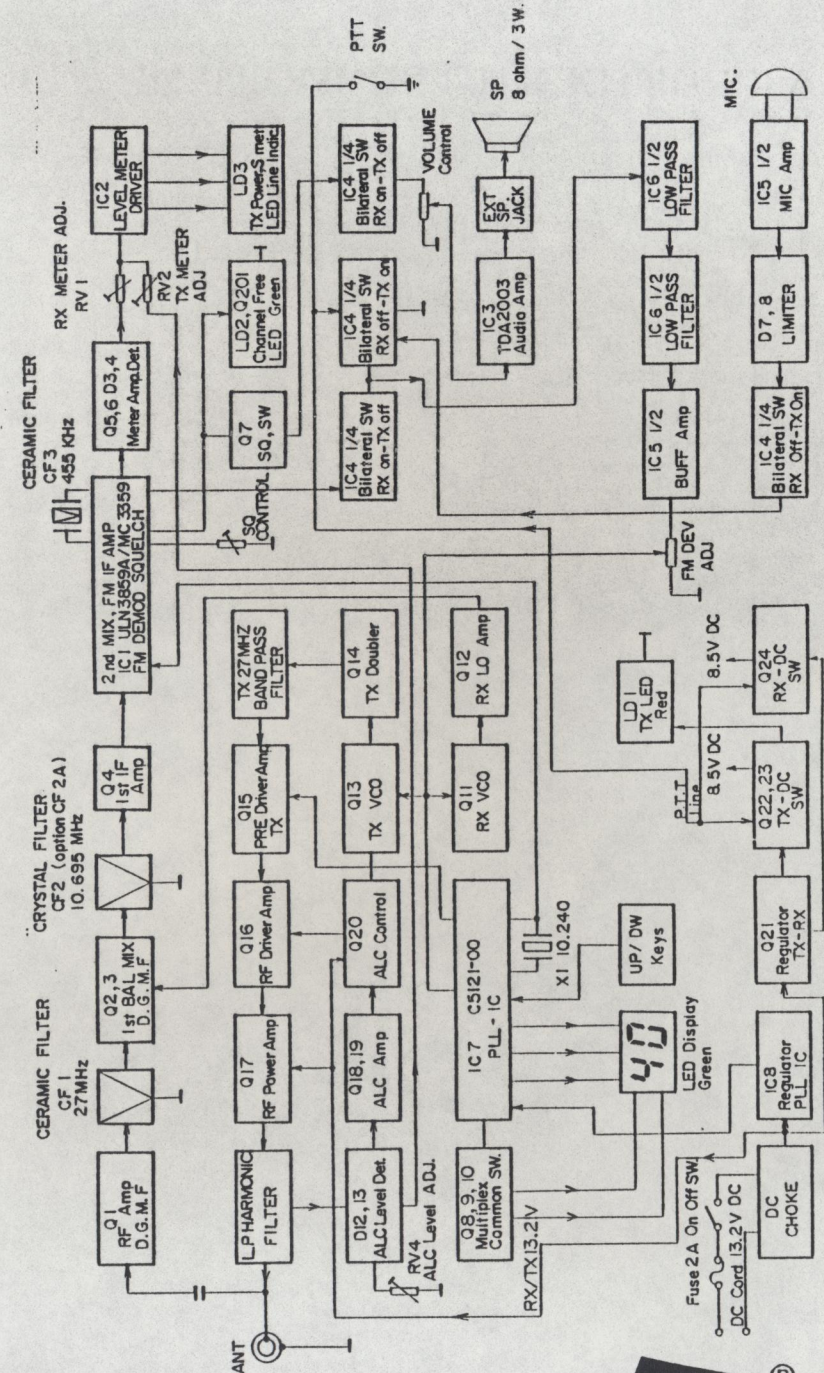
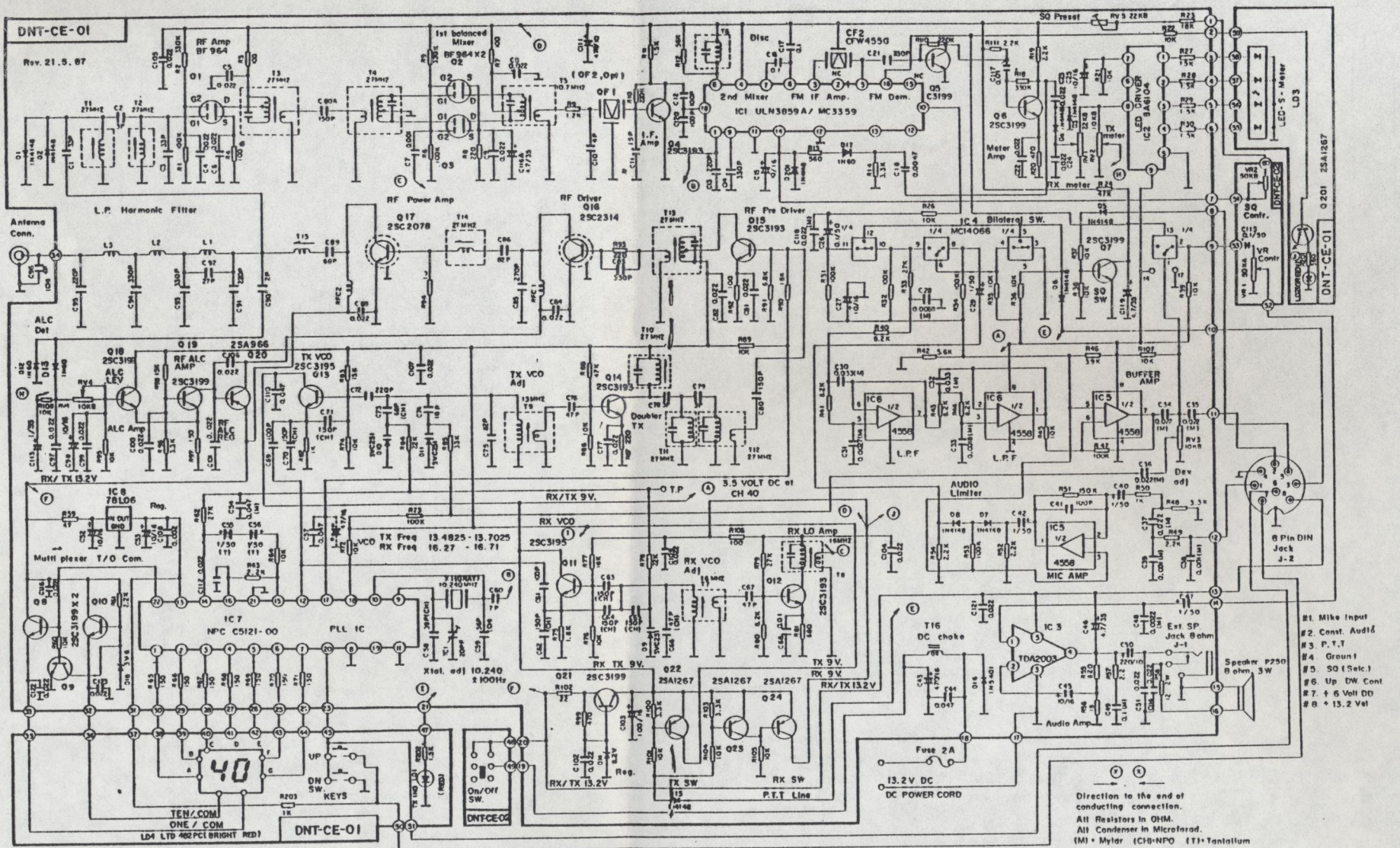


ERSATZTEIL-LISTE

TEILE NAME	BEZEICHNUNG	TEILE NR.
IC FM	IC 1 ULN 3859 (SPRAGUE)	10-00164
IC LEVEL	IC 2 BA 8104 (R-OHM)	10-00165
IC AF	IC 3 TDA 2003 (SGS)	10-00109
IC SW	IC 4 4066 BRS (OKI)	10-00166
IC OP AMP	IC 5, 6 UPC4558C (NEC)	10-00167
IC PLL	IC 7 C5121-00 (NPC)	10-00168
IC REG.	IC 8 78L06 (NEC)	10-00169
D.G. M.F. RF	Q 1, 2, 3, BF964 (TFK)	9-00096
RF DRIVER	Q16 2SC2314 (F) (SANYO)	9-00074
RF PA	Q17 2SC2078 (F) (SANYO)	9-00075
Transistor AF	Q5, 6, 7, 8, 9, 10, 18, 19, 21, 201 2SC3199 (KEC)	9-00050
Transistor RF	Q11, 13 2SC3195 (KEC)	9-00122
Transistor RF	Q4, 12, 14, 15, 2SC 3193 (KEC)	9-00123
Transistor AF	Q22, 23, 24, 2SA 1267 (KEC)	9-00052
Transistor AF	Q20 2SA 966 (KEC)	9-00124
Diode. Si	D1, 2, 3, 4, 5, 6, 7, 8, 15 IN4148	11-00182
Diode. Ge	D12, 13, 17 IN60	11-00183
Diode. Zener	D14, ZD8.2	11-00281
Diode. Zener	D18 ZD5.6	11-00280
Diode. Rectifier	D16 IN5401	11-00188
Diode. Varicap	D9, 10, 11 SVC251Y (SANYO)	11-00189
LED Display	LTD 482PC (LITON)	11-00339
Coil	T1, 2, 7, 9 RX27MHz Vco 7FM06 (TOKO)	12-00215
Coil	T3, 13 RX, TX 27MHz 7 FM07-1 (TOKO)	12-00320
Coil	T4 RX 27MHz LX21 (TOKO)	12-00283
Coil	T5 RX 10.7MHz LX22 (TOKO)	12-00321
Coil	T6 RX 455KHz 7AM10 (TOKO)	12-00322
Coil	T8 RX 16MHz LX16 (TOKO)	12-00289
Coil	T10, 11, 12 TX27MHz LX17 (TOKO)	12-00290
Filter Ceramic	CF2 CFW455G (MURATA)	18-00080
Trimmer Cond.	TC1 FR20PF (200B) (MURATA)	14-00023
LED LAMP	LD3 LTL-3211A-04 (LITON)	11-00340
LED LAMP	LD1 LTL-3212A (LITON)	11-00287
LED LAMP	LD2 LTL-3232A (LITON)	11-00288
Pre-Set-Resistor	RV 3, 4, 2 H0615C-10KB (ALPS-JAPAN)	1-01023
Pre-Set-Resistor	RV 1, 5 H0615C (ALPS-JAPAN)	1-01191
Tact SW	SW 1, 2 JTP1250	17-00048
Volume Control	VR1 RK097002A (50KA) (ALPS-JAPAN)	1-01192
Squelch Control	VR2 RK097111003 LA (50KB) (ALPS-JAPAN)	1-01193
EXT-SP Jack	J1 HSJ0615-01-010 (HOSIDEN)	12-00082
Crystal	X-1 10,240 MHz (SUNNY)	26-00015
Crystal-Filter	CF2 10,695M8A(SUNNY)	26-00027
Front Panel	CJF-026-40-89	20-01574
Display Filter	CJE-065-1	20-01575
SQ Vol. Knob	CJK-07-4-W	20-01576
Up/Down Knob	CJK-024-0, CJK-025-0	20-01577
Knob Guide	CJK-026-0	20-01578
Top Cover	CPV-010-6-1	21-01350
Bottom Cover	CPV-009-6-1	21-01351
Channel Plate	CPP-066-2	21-01528

BLOCKSCHALTBIID





Remark: IC4 Bilateral Switch in RX mode position. * Factory selected Values.
DNT reverse the right to subjects change, without notice.

- C5121-00
 - MC3359
 - MCI4066
 - 4558
 - BA6104
 - BF964
 - 2SA1267
 - 2SC3193
 - 2SC3199
 - 2SC3195
 - 2SC2314
 - 2SC2078
 - 2SA966
 - TDA2003
- Tack solder component on PCB solder side

Direction to the end of conducting connection.
All Resistors in OHM.
All Condenser in Microfarad.
(M) = Mylar (CB-NPO) (T) = Tantalum

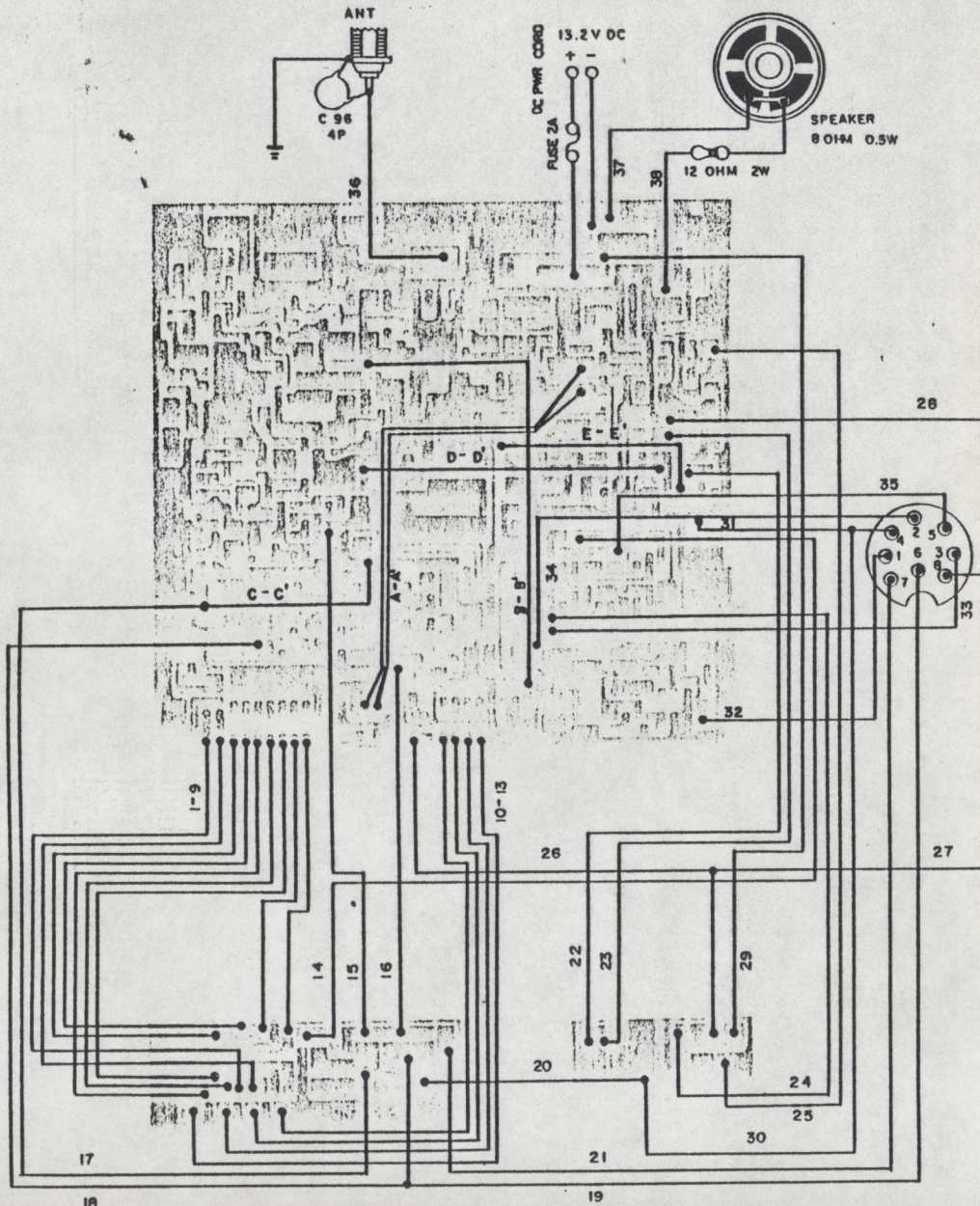
- #1. Mike Input
- #2. Const. Audio
- #3. P.T.T
- #4. Ground
- #5. 50 (Sec.)
- #6. Up DW Cont
- #7. +6 Volt DD
- #8. +13.2 Volt

SCHALTUNG Coupé 40/FM

Änderungen, die dem technischen Fortschritt dienen, vorbehalten.



VERDRÄHTUNGSPLAN



PLATINEN UND BESTÜCKUNGSPLAN

