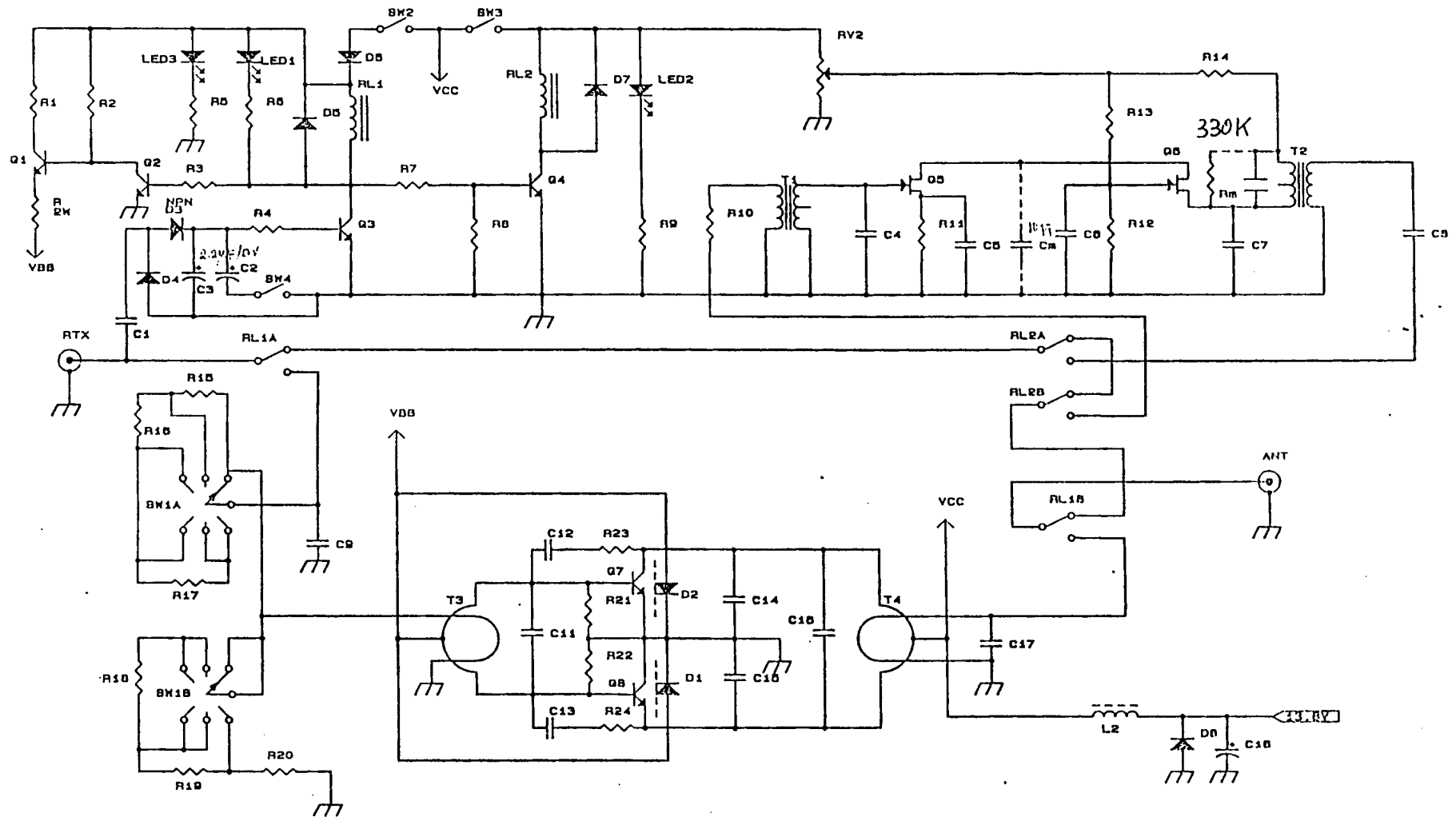
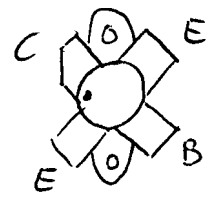


CB-300 LINEAR AMPLIFIER WITH PRE-AMPLIFIER

v. ober



v. ober

File Document Number	115
Date	1964-10-18