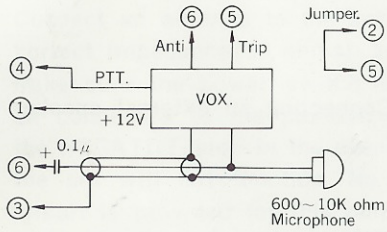
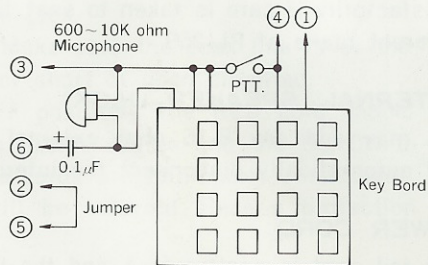


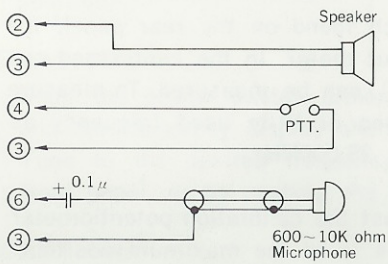
1- Microphone with VOX.



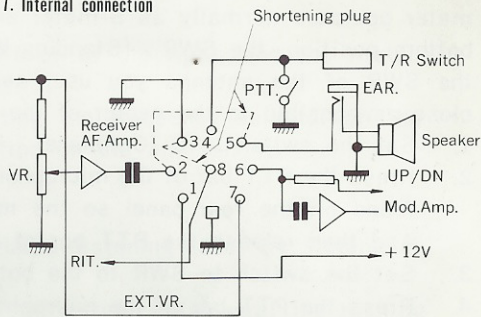
6. Telephone encoder Mic.



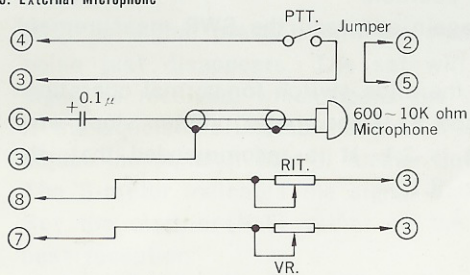
2. Headset or Telephoneset with PTT.



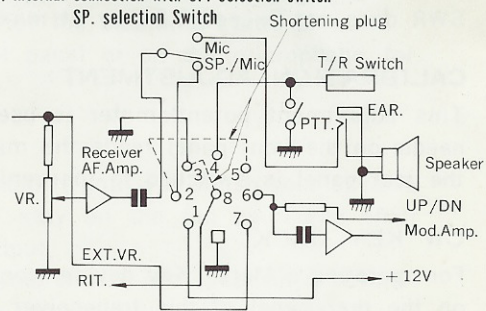
7. Internal connection



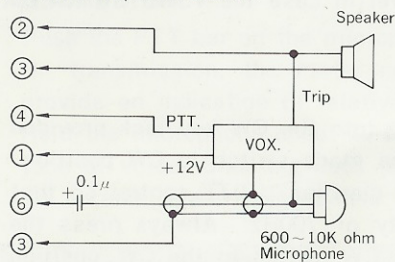
3. External Microphone



8. Internal connection with SP. selection switch



4. Headset or Telephoneset with VOX.



9. Connections number

